



NOR-LAKE, INCORPORATED
727 Second Street
Hudson, Wisconsin 54016

800-955-5253
715-386-2323
866-961-5253 Parts
800-388-5253 Service
715-386-6149 FAX
www.norlake.com

ADVANTEDGE™ COUNTERTOP MERCHANDISER



PROJECT:

ITEM NUMBER:

MODEL NUMBER:

COUNTERTOP MERCHANDISER

SPECIFICATIONS FOR: NLCTM7-B

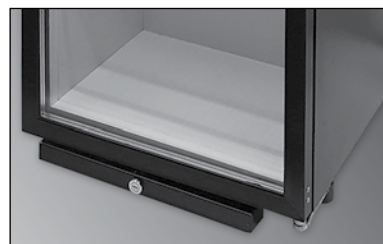
- Exterior Finish: Complete exterior is black painted steel
- Interior Finish: Complete interior is white painted steel
- Insulation: Complete cabinet is foamed in place
- Hardware: Two epoxy coated shelves, four adjustable levelers, LED light, magnetic gaskets, pivot hinge, pull handle
- Electrical: 115 volt, 60 Hz, 1 phase with cord and plug
- Refrigeration: R290 refrigerant. Operating temperature: +36°F
- Approvals: UL and C-UL safety & ETL Sanitation listed*

STANDARD FEATURES

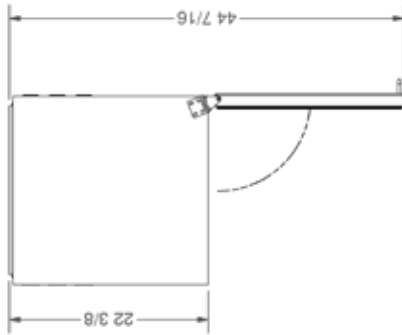
- Two epoxy coated shelves
- Four adjustable levelers
- LED light
- Magnetic gaskets
- Pivot hinge
- Pull handle
- Right hand hinged door
- Approvals: UL and C-UL safety & ETL Sanitation*
- Warranties: 1 year parts and labor, 5 year compressor

OPTIONAL FEATURES

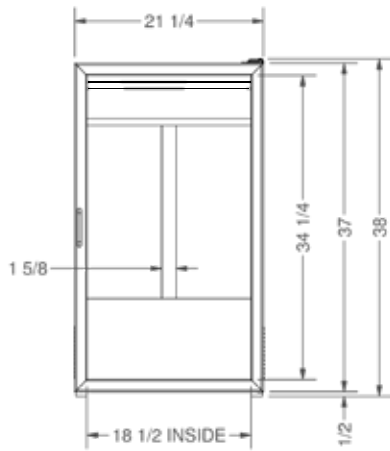
- Extra shelf
- Field-installed door lock



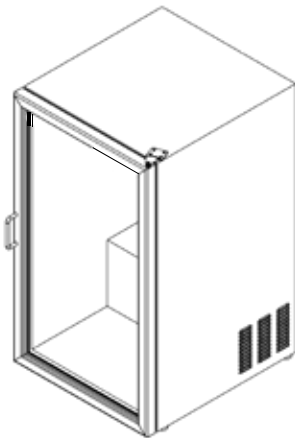
* C-UL is Underwriters Laboratories Safety Certification Mark which indicates that UL has tested the equipment to applicable CSA Standards. ETL Sanitation is Intertek Labs Certification Mark which indicates that Intertek has tested the equipment to applicable NSF Standards.



TOP VIEW



FRONT VIEW



SIDE VIEW

SPECIFICATIONS

Model	NLCTM7-B
<i>Crated Weight (lbs) (kg)</i>	128 (58)
<i>Crated Height (in) (cm)</i>	42 (107)
<i>Crated Width (in) (cm)</i>	27 (68)
<i>Crated Depth (in) (cm)</i>	22 (57)
<i>Interior Height (in) (cm)</i>	34-1/4 (87)
<i>Interior Width (in) (cm)</i>	18-1/2 (47)
<i>Interior Depth (in) (cm)</i>	20-11/16 (53)
<i>Overall Height (in) (cm)</i>	38 (97)
<i>Overall Width (in) (cm)</i>	21-1/4 (54)
<i>Overall Depth (in) (cm)</i>	25-3/4 (65)
<i>Gross Cubage (CuFt) (L)</i>	7.0 (198)
<i>Number of Shelves</i>	2
<i>12 oz. Can/Bottle Capacity</i>	248/128
<i>Condensing Unit Size</i>	1/5 HP
<i>Refrigerant</i>	R290
<i>Electrical Characteristics</i>	115/60/1
<i>Cord and Plug Furnished</i>	Yes
<i>Nema Plug Configuration</i>	5-15P
<i>Total Amp Draw</i>	3.1

Specifications subject to change without notice.



Revision Date: 3/20
Part Number: 151631