



NOR-LAKE, INCORPORATED
727 Second Street
Hudson, Wisconsin 54016

800-955-5253
715-386-2323
866-961-5253 Parts
800-388-5253 Service
715-386-6149 FAX
www.norlake.com

ADVANTEDGE™ GLASS DOOR MERCHANDISER – REFRIGERATOR, SLIDE DOOR



PROJECT:
.....
ITEM NUMBER:
.....
MODEL NUMBER:
.....

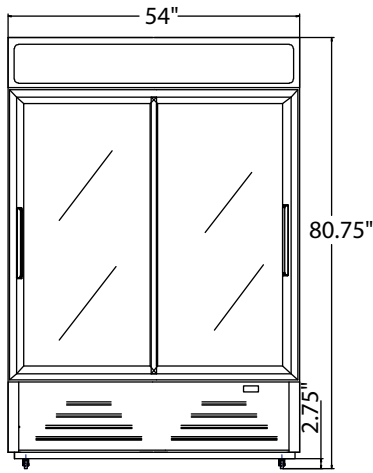
GLASS DOOR MERCHANDISERS-REFRIGERATORS, SLIDE DOOR

SPECIFICATIONS FOR: NLRGM48SB

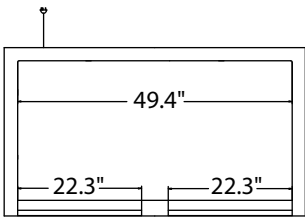
- **Finish:** Black vinyl coated exterior with white interior and stainless steel floor
- **Insulation:** Complete cabinet is foamed-in-place with polyurethane insulation.
- **Hardware:** Four heavy duty shelves, adjustable in 1/2" increments, per door. Product label strips on shelves. Heavy duty factory-installed casters. Top LED backlit panel. Two LED light strips for maximum product illumination. Electronic adjustable temperature control with digital display.
- **Doors:** Self-closing slide doors with energy efficient dual pane glass. Standard lock for each door. Magnetic gaskets. Hold-open feature for loading ease.
- **Electrical:** 115 volt, 60 Hz, 1 phase with cord and plug
- **Refrigeration:** Self-contained bottom mounted, air cooled refrigeration system with coated evaporator coil and automatic defrost. The condensate is collected and automatically evaporated from an energy efficient vaporizer. Refrigerant flow is controlled by a capillary tube. R290 refrigerant. Temperature range: +34°F to +40°F
- **Approvals:** ETL Sanitation and Safety listed, DOE energy compliant

STANDARD FEATURES

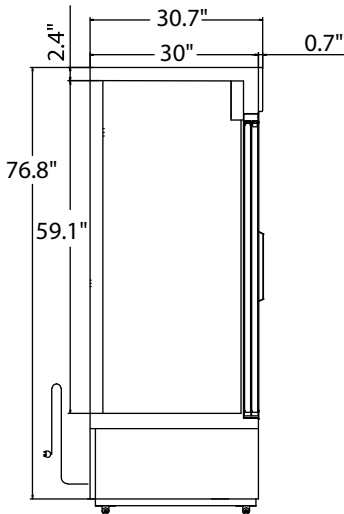
- Two LED light strips
- LED backlit top panel
- Factory installed casters
- Magnetic door gaskets
- Self-closing doors with hold-open feature
- Four heavy duty shelves with product label strips per door
- Shelves adjustable in 1/2" increments and capable of supporting 125 lbs.
- Air cooled condensing unit
- Self-contained condensate evaporator requires no plumbing
- Automatic defrost
- Electronic adjustable temp control with digital display
- ETL Sanitation and Safety Listed
- Warranties: 3 yr. parts & labor, 5 yr. compressor



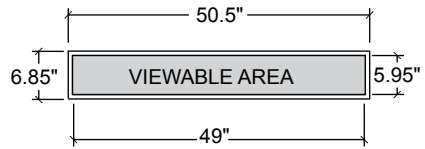
FRONT



TOP



SIDE



GRAPHIC PANEL
DIMENSIONS

SPECIFICATIONS	
Model	NLRGM48SB
<i>Crated Weight (lbs) (kg)</i>	531 (241)
<i>Crated Height (in) (cm)</i>	84.6 (215)
<i>Crated Width (in) (cm)</i>	55.5 (141)
<i>Crated Depth (in) (cm)</i>	31.9 (81)
<i>Interior Height (in) (cm)</i>	52.0 (132)
<i>Interior Width (in) (cm)</i>	49.4 (125)
<i>Interior Depth (in) (cm)</i>	27.6 (70)
<i>Overall Height (in) (cm)</i>	80.75 (205)
<i>Overall Width (in) (cm)</i>	54 (137)
<i>Overall Depth (in) (cm)</i>	31 (79)
<i>Gross Cubage (CuFt) (L)</i>	49.0 (1388)
<i>Number of Shelves</i>	8
<i>Shelf Area (SqFt) (Sqm)</i>	40.5 (3.8)
<i>Number of Casters</i>	4
<i>Condensing Unit Size</i>	1/2
<i>Refrigerant</i>	R290
<i>Electrical Characteristics</i>	115/60/1
<i>Cord and Plug Furnished</i>	Yes
<i>NEMA Plug Configuration</i>	5-15P
<i>Total Amp Draw</i>	4.5

Specifications subject to change
without notice.



Revision Date: 7/20
Part Number: 161753